



VAC-A-TEE® OUTSIDE CLEANOUT SYSTEM



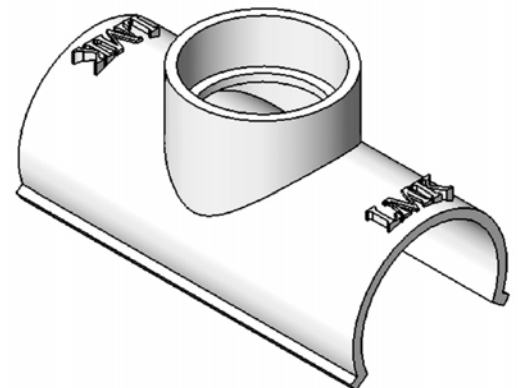
TECHNICAL DATA SHEET

VAC-A-TEE is a trenchless outside cleanout system that allows access to the lateral pipe for cleaning, inspection and lateral lining. It consists of a patented VAC-A-TEE saddle and riser pipe affixed with adhesive.

- Vacuum excavation eliminates the potential hazards of digging up buried gas and water utility lines; it minimizes homeowner disruption with no damage or restoration to landscape.
- Compatible with all pipe types, including clay, cast iron, concrete, PVC and even HDPE.
- The patented snapping design of the saddle and proprietary adhesive/sealant provides a fail-proof, high-strength bond to the host pipe.
- For pipe sizes from four to 24 inches and lateral depths to 15 feet.

- **System Components**

- * **Rigid Polyvinyl Chloride (PVC) Type 1, Schedule 40 VAC-A-TEE "Saddle"**
- * **All-purpose, modified epoxy VAC-A-TEE Adhesive**
- * **PVC Riser Pipe, SDR35, and Cap (Contractor Supplied)**



VAC-A-TEE SADDLE DIMENSIONS

Pipe Size	Length of Saddle	Inside Diameter of Saddle		
		Clay	Cast Iron	PVC
4"	11"	5.25"	4.25"	4.25"
6"	13"	8.0"	6.5"	6.5"
8" - 24"	Mandrel Formed Saddles are available to fit HDPE, Concrete, Vitrified Clay, Cast Iron and PVC. The outside dimension (O.D.) of the pipe and pipe construction are needed so that saddle size can be selected that will best fit the pipe. Call LMK , Customer Service, for more information on availability.			

VAC-A-TEE SADDLE TECHNICAL DATA

Property	Nominal Value (English)	Nominal Value (SI)	Test Method
Specific Gravity	1.40	1.40 g/cm ³	ASTM D792
PVC Cell Classification	12454	12454	ASTM D1784
Tensile Modulus	440000psi	3030 MPa	ASTM D638
Tensile Strength (Yield)	7200 psi	49.6 MPa	ASTM D638
Flexural Modulus	450000 psi	3100 MPa	ASTM D790
Flexural Strength	13200 psi	91.0 MPa	ASTM D790
Notched Izod Impact 73°F (23°C), 0.125 in (3.18mm), Injection Molded	1.0 ft-lb/in	53 J/m	ASTM D256A
Notched Izod Impact 73°F (23°C), 0.250 in (6.35mm), Injection Molded	0.70 ft-lb/in	37 J/m	ASTM D256A
Durometer Hardness (Shore D)	81	81	ASTM D2240
Deflection Temperature Under Load 66 psi (0.45 MPa), Unannealed, 0.250 in (6.35mm)	163°F	72.8°C	ASTM D648
Deflection Temperature Under Load 264 psi (1.8 MPa), Unannealed, 0.250 in (6.35mm)	162°F	72.2°C	ASTM D648
Flame Rating (0.0630 in (1.60mm) , ALL)	V-0	V-0	UL 94
Agency Ratings	NSF 14, NSF 61, NSF Type 1		
PVC Grade	Type 1, Schedule 40		

Storage: Store indoors. At time of installation saddles should be brought to temperatures between 60°F and 80°F.

VAC-A-TEE ADHESIVE

The VAC-A-TEE Adhesive exhibits superior adhesion to a wide variety of substrates including: vitrified clay, ceramics, concrete, PVC, wood, composites, FRP and cast iron without the use of a primer. The flexible adhesive has a user-friendly and forgiving 1:1 by volume mix ratio. Working time is not seriously affected by ambient temperatures and it is light stable and highly UV resistant. LMK's VAC-A-TEE Adhesive outperforms most "brittle" 2-component systems by retaining high peel strength and flexibility through a wide temperature range. LMK Vac-A-Tee® Adhesive has been designed for a minimum 50-year service life.

VAC-A-TEE ADHESIVE TECHNICAL DATA

Property	Nominal Value (English)	Nominal Value (SI)	Test Method
Specific Gravity	1.315	g/cm ³	ASTM D792
Viscosity (cps) *Brookfield Helipath T-E @ 5 rpms, 72°F	160,000		
Pot Life (hours)	12	12	
Open Time (in minutes)	30	30	
Ultimate Peel Strength	50 pli	50 pli	ASTM D1781-93
Flexural Strength	13200 psi	91.0 MPa	ASTM D790
Tensile Strength	825 psi	J/m	
Lap Shear	750 psi	J/m	
Elongation	100%	100%	
High Temperature Resistance	Up to 400°F (204.4°C) for short periods 72.8°C		
Low Temperature Flexibility	Properties retained to -75°F (-59.4°C) 72.2°C		
Shore A	82	82	

Surface Preparation: Apply to clean, wet surfaces free of contaminants that can adversely affect adhesion.

Storage Life: Six months in unopened containers at temperatures not exceeding 80°F (26.7°C).

Precautions: Use with adequate ventilation. Inhalation of vapor during application and cure may cause slight eye or throat irritation. In case of contact with eyes, lips, or mouth, flush thoroughly with water. If irritation persists, consult a physician. Avoid repeated, prolonged contact with skin. See MSDS for additional information. KEEP OUT OF REACH OF CHILDREN.